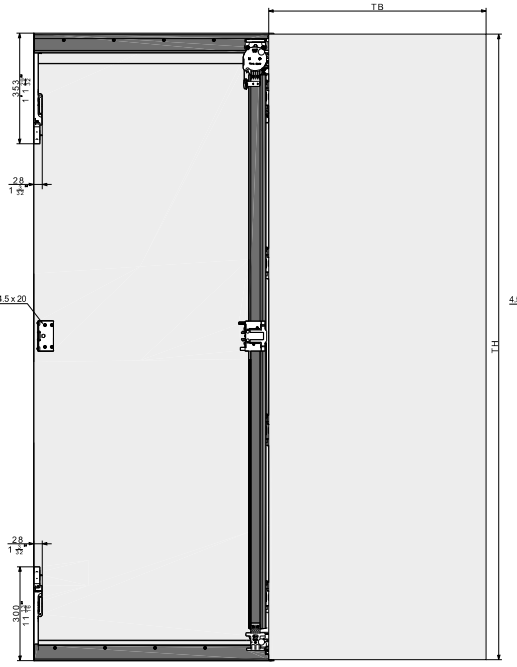
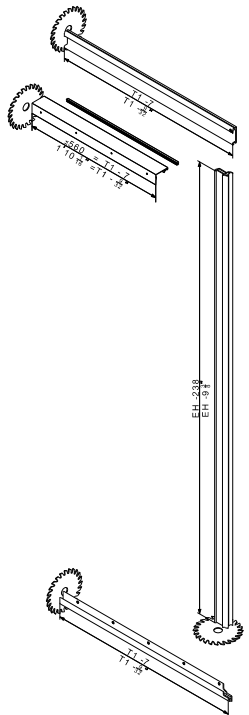
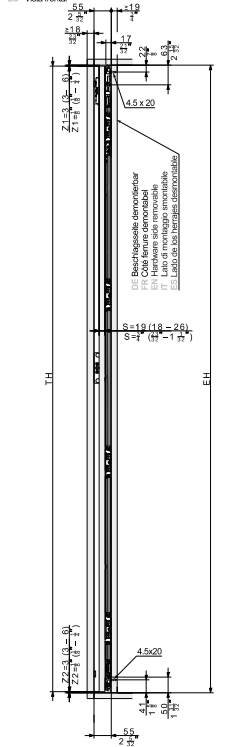


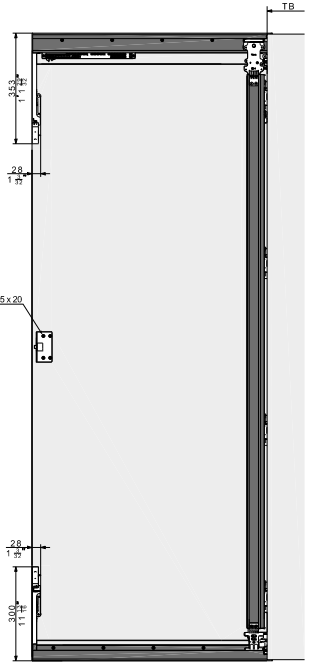
DE Vorderansicht
FR Vue de face
EN Front view
IT Vista frontale
ES Vista frontal

DE Ablängen der Profile
FR Raccourcir les profils
EN Cutting the profiles to length
IT Taglio a misura dei profili
ES Cortar a medida los perfiles

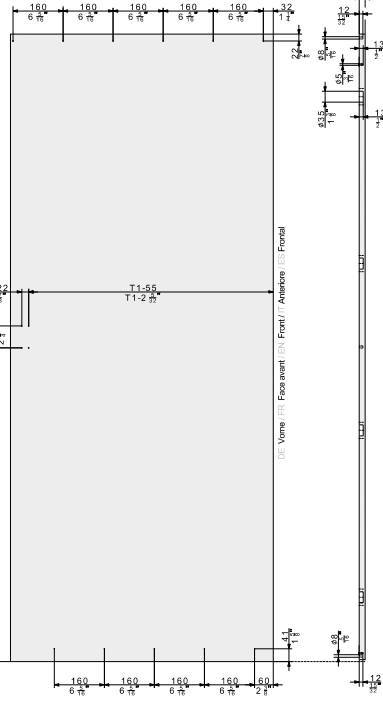
DE Seitenansicht
FR Vue de côté
EN Side view
IT Vista laterale
ES Vista lateral



DE Seitenansicht
FR Vue de côté
EN Side view
IT Vista laterale
ES Vista lateral



DE Beschlagsseite B
FR Côté de la ferrure B
EN Fitting side B
IT Lato ferramenta B
ES Lado del herraje B



DE Tür Concepta III 35
FR Porte Concepta III 35
EN Door Concepta III 35
IT Arta Concepta III 35
ES Puerta Concepta III 35

C - C

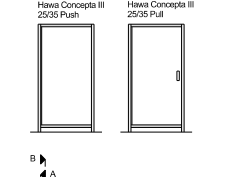
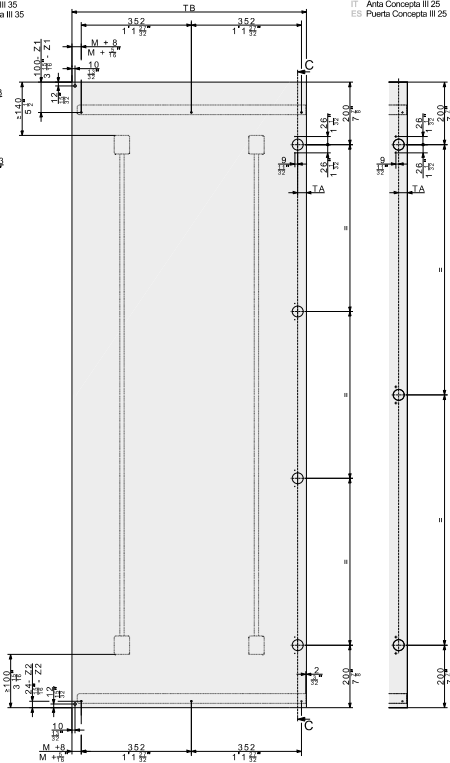


Table with 2 columns: mm, Inch. Rows: T1, E1, KT1, M.

Table with 2 columns: mm, Inch. Rows: S, T1, TB, TH (III 25), TH (III 35), Z1, Z2, Z3.

Table with 2 columns: Z3, TA1. Rows: dimensions.

Hawa Concepta III 25

DE Maximale Gewichte in kg / FR Poids maximale en kg / EN Maximum weights in kg / IT Pesi massimi in kg / ES Pesos máximos en kg

Table with 11 columns: Door height / EN, Door width / EN, and weight values for various configurations.

Hawa Concepta III 25

DE Maximale Gewichte in lbs. / FR Poids maximale en lbs. / EN Maximum weights in lbs. / IT Pesi massimi in lbs. / ES Pesos máximos en lbs.

Table with 11 columns: Door height / EN, Door width / EN, and weight values for various configurations.

Hawa Concepta III 35

DE Maximale Gewichte in kg / FR Poids maximale en kg / EN Maximum weights in kg / IT Pesi massimi in kg / ES Pesos máximos en kg

Table with 11 columns: Door height / EN, Door width / EN, and weight values for various configurations.

Hawa Concepta III 35

DE Maximale Gewichte in lbs. / FR Poids maximale en lbs. / EN Maximum weights in lbs. / IT Pesi massimi in lbs. / ES Pesos máximos en lbs.

Table with 11 columns: Door height / EN, Door width / EN, and weight values for various configurations.

DE Abkürzungen / FR Abréviations / EN Abbreviations / IT Abbreviazioni / ES Abreviaturas

Large table with 5 columns: Symbol, German, French, English, Italian, Spanish. Rows include symbols like EI, EH, KT1, M, S, T1, TA, TB, TH, Z.