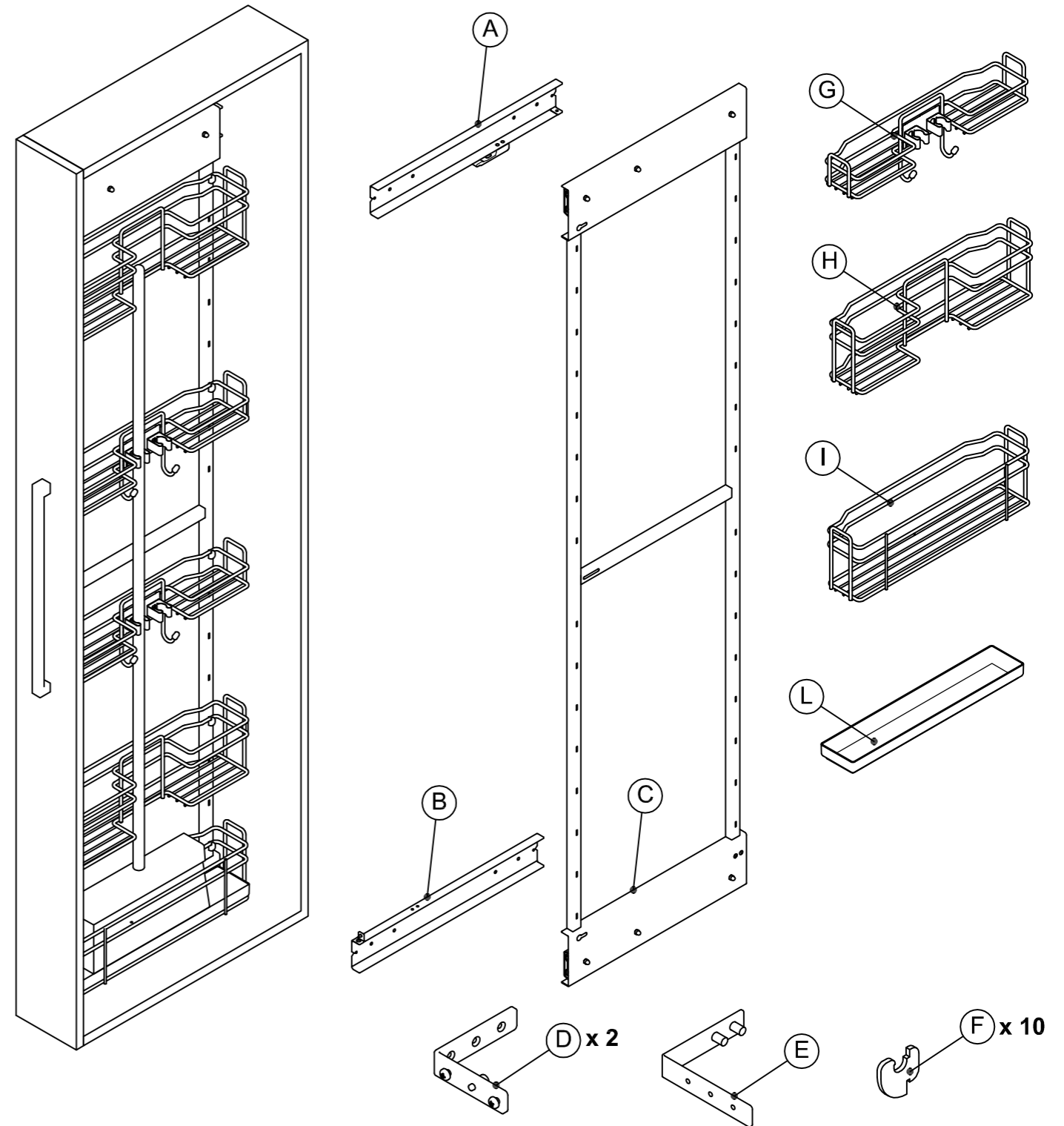
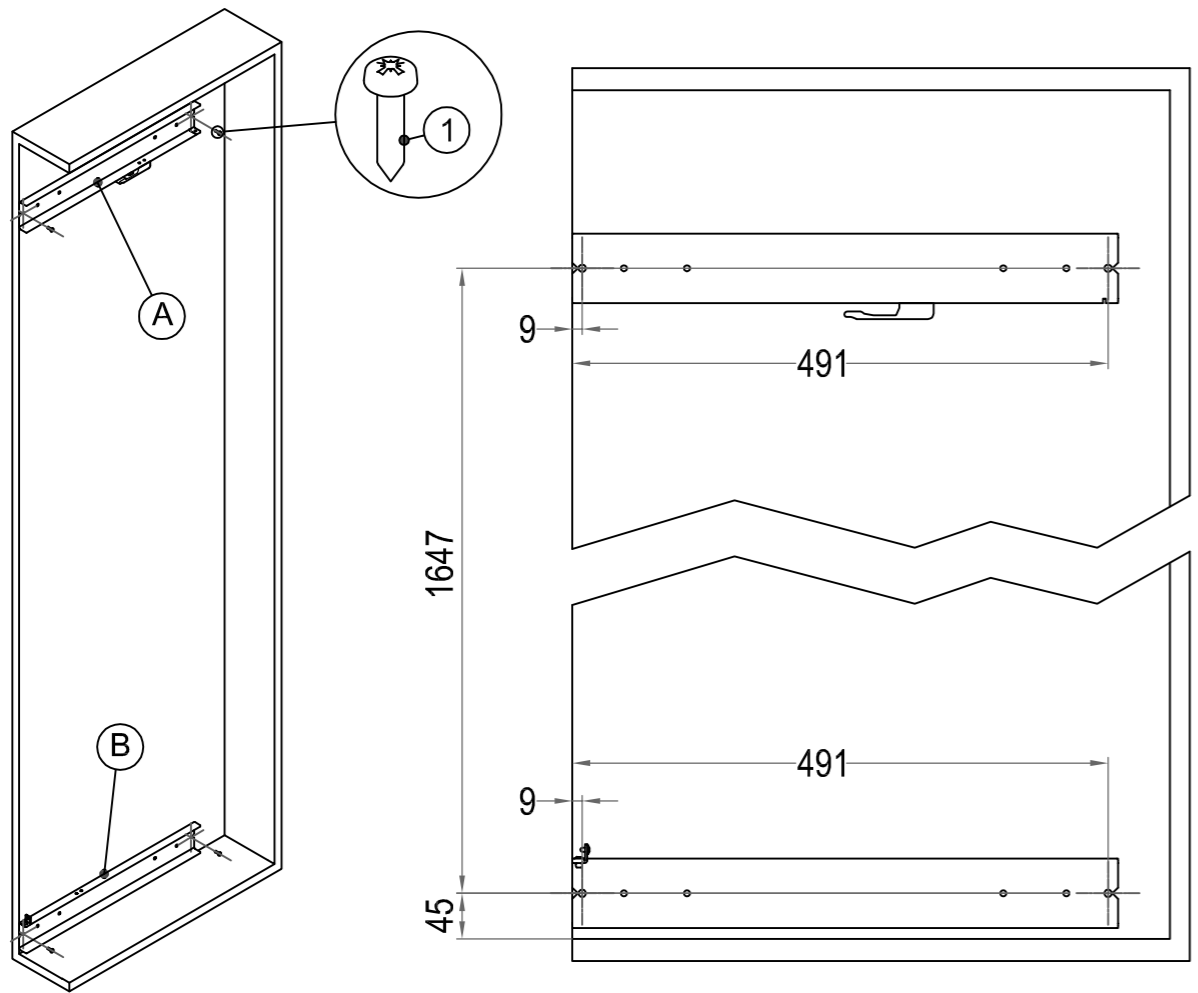


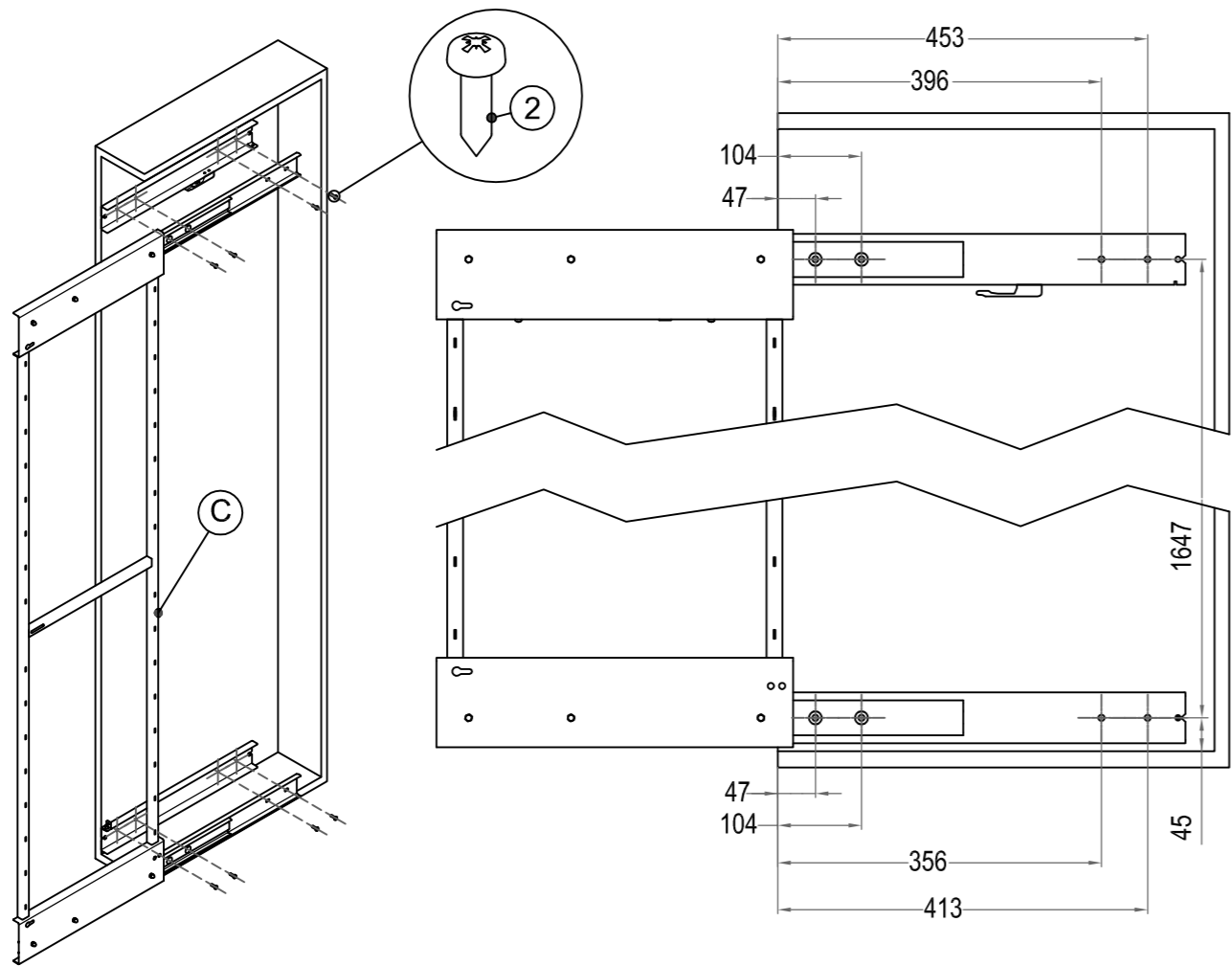
<p>15 min</p>	<p>x 1</p>		<p>3.5x16 DIN 7505 B</p> <p>1 x 7</p>	<p>4.2x16 DIN 7505 B</p> <p>2 x 8</p>	<p>3.5x16 DIN 7505 A</p> <p>3 x 6</p>	<p>M5x12</p> <p>4 x 2</p>
---------------	------------	--	---	---	---	---------------------------



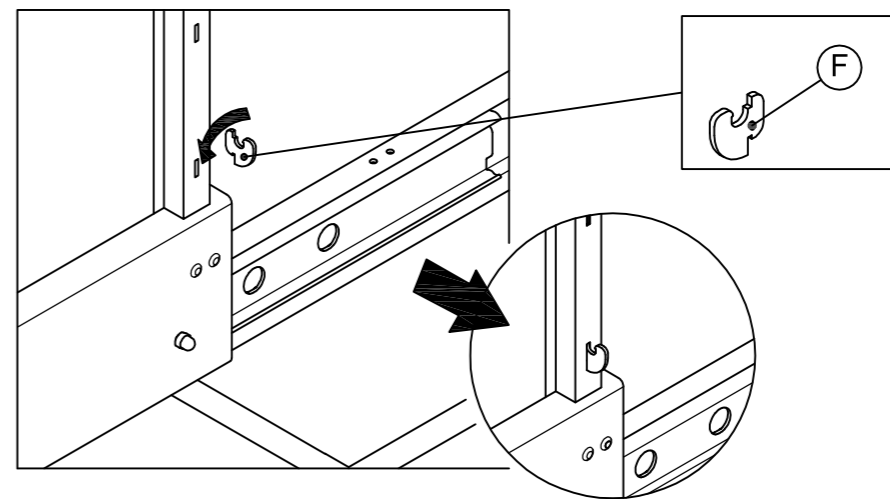
1



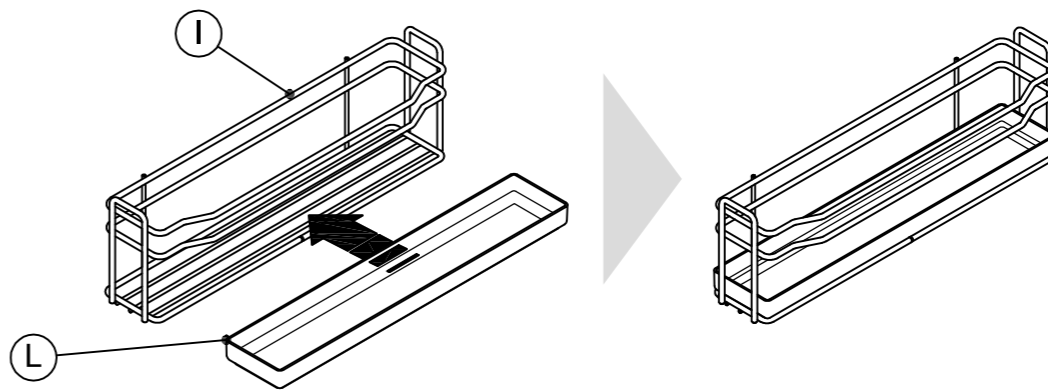
2



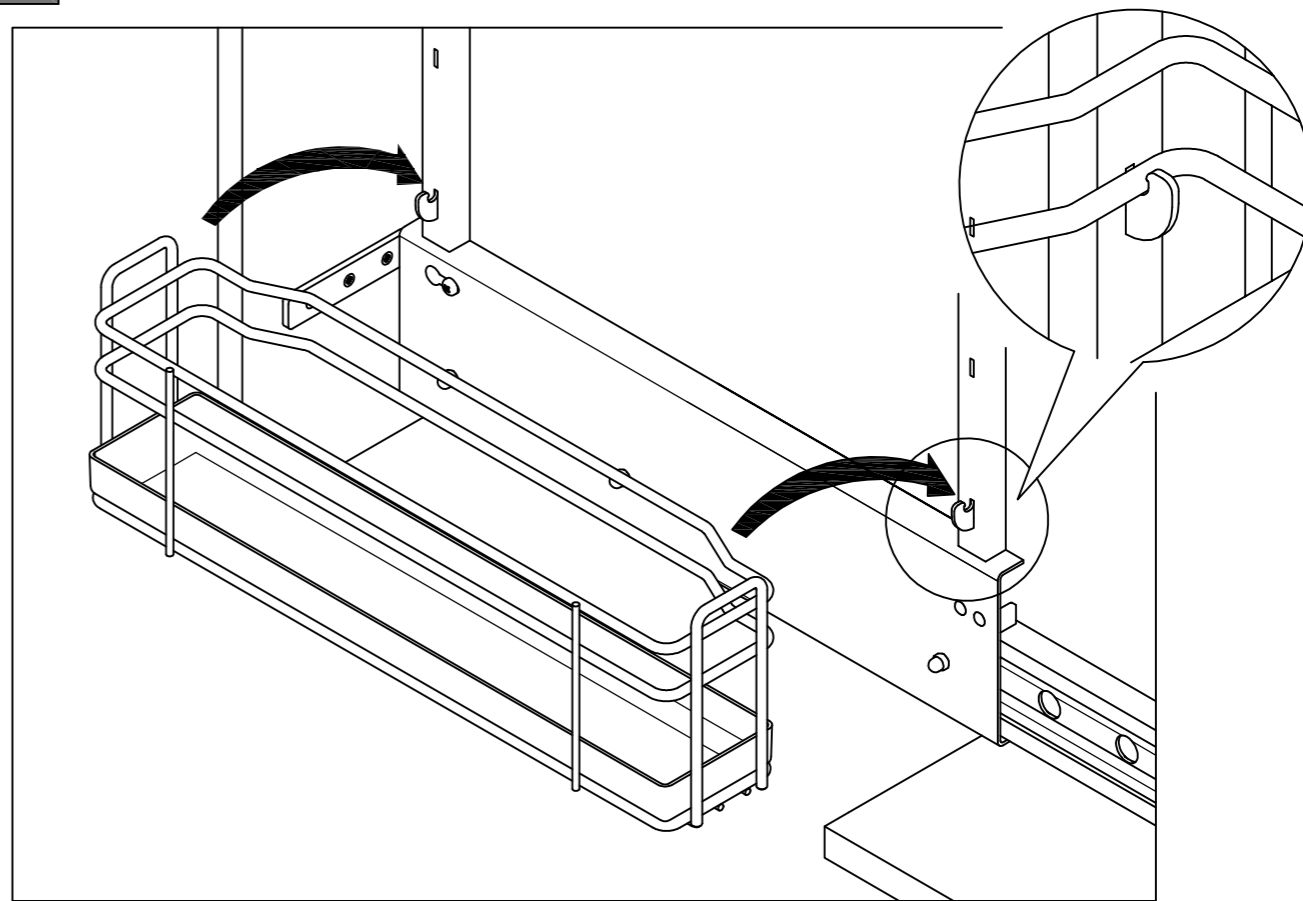
12



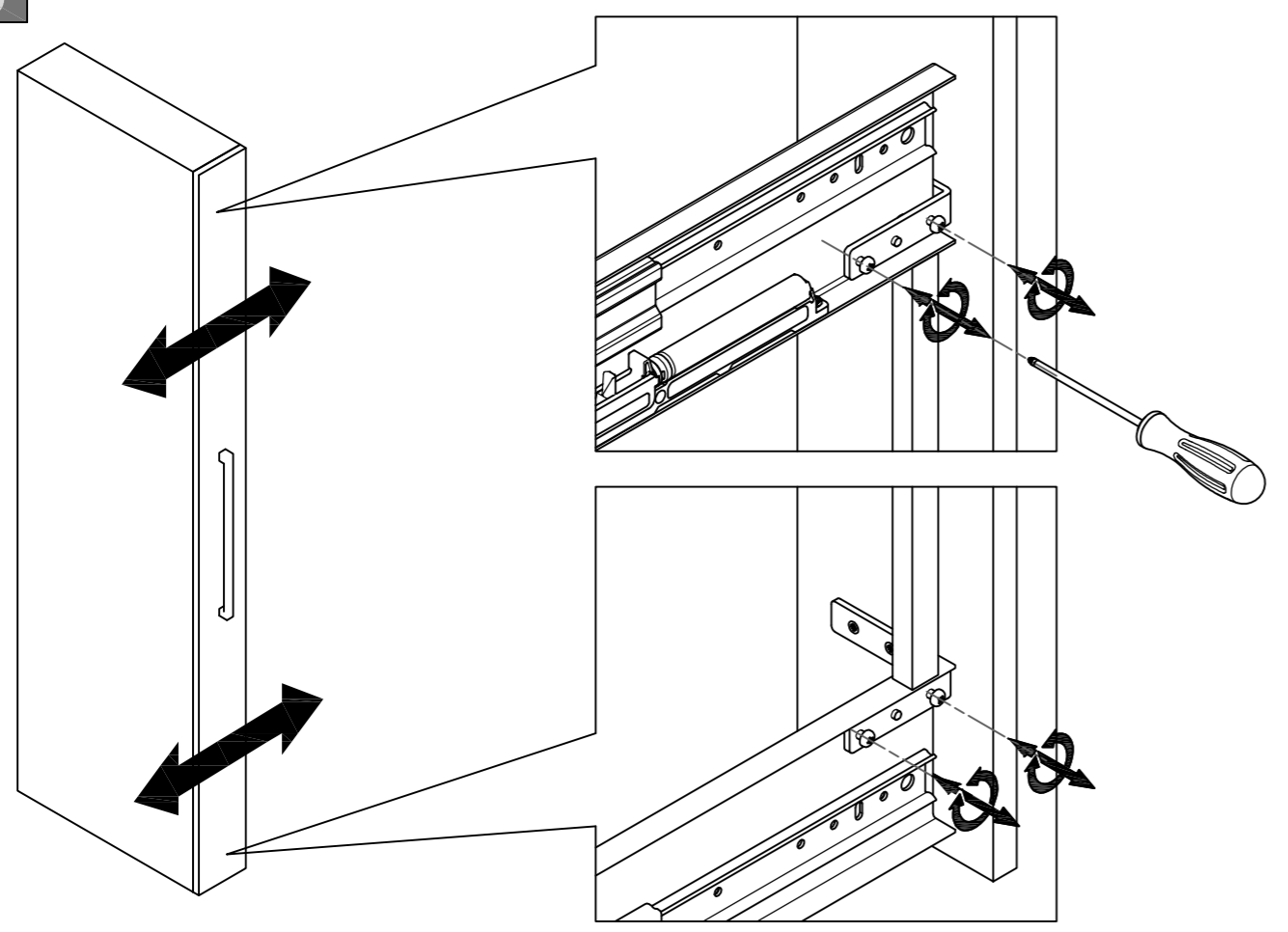
13



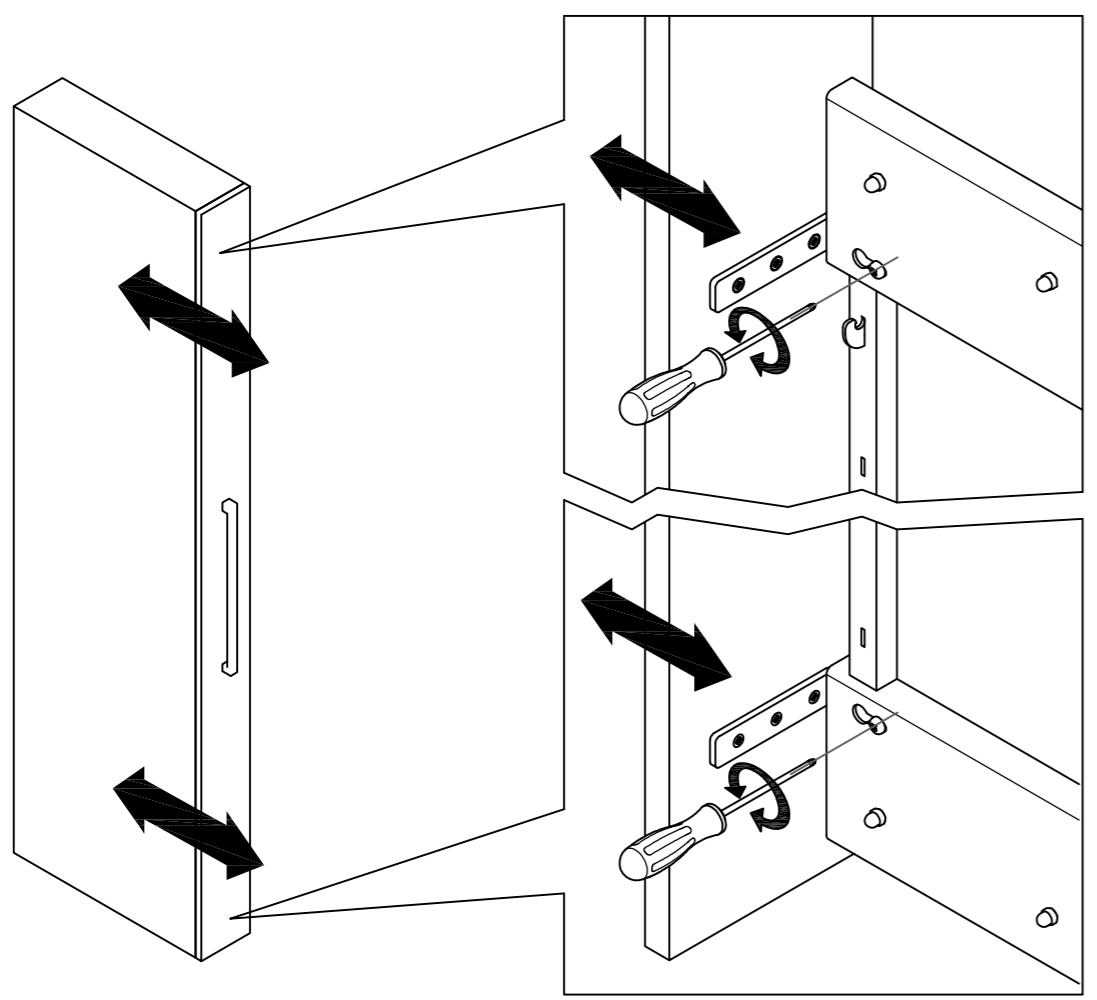
14



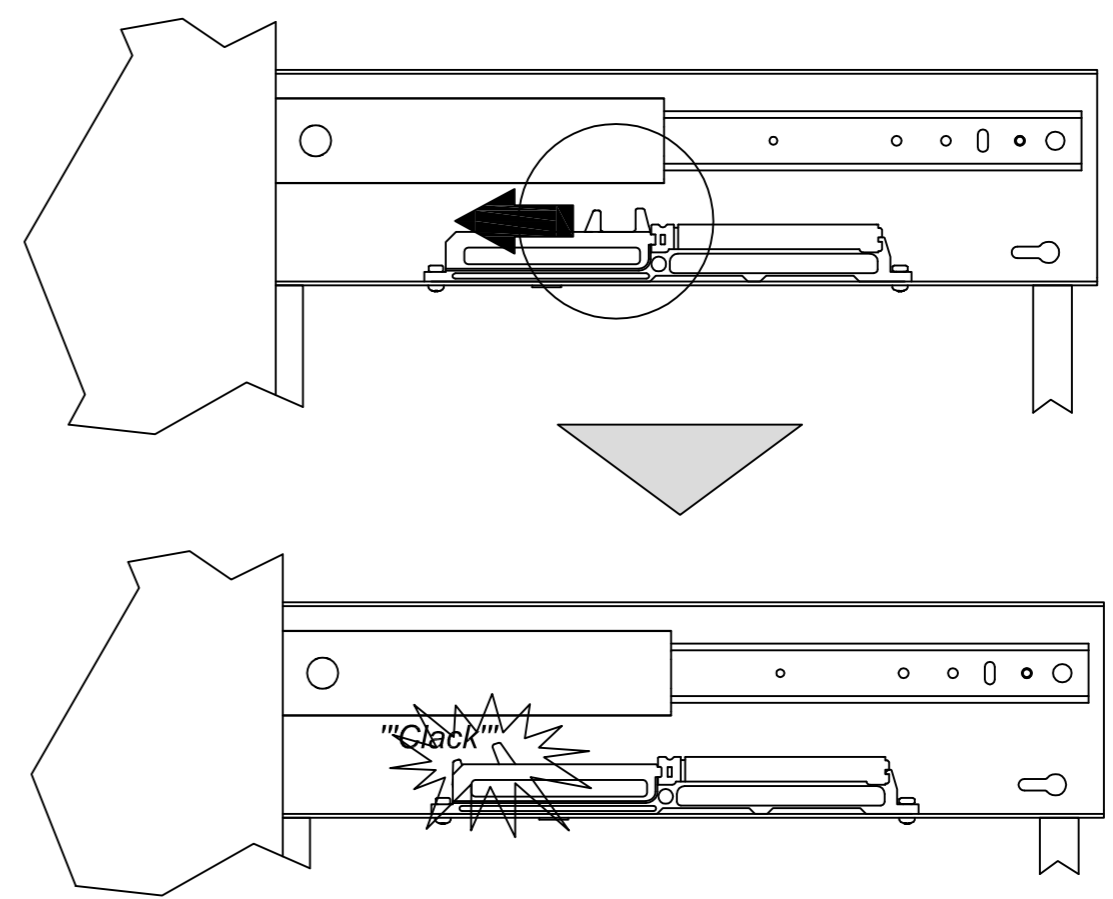
10



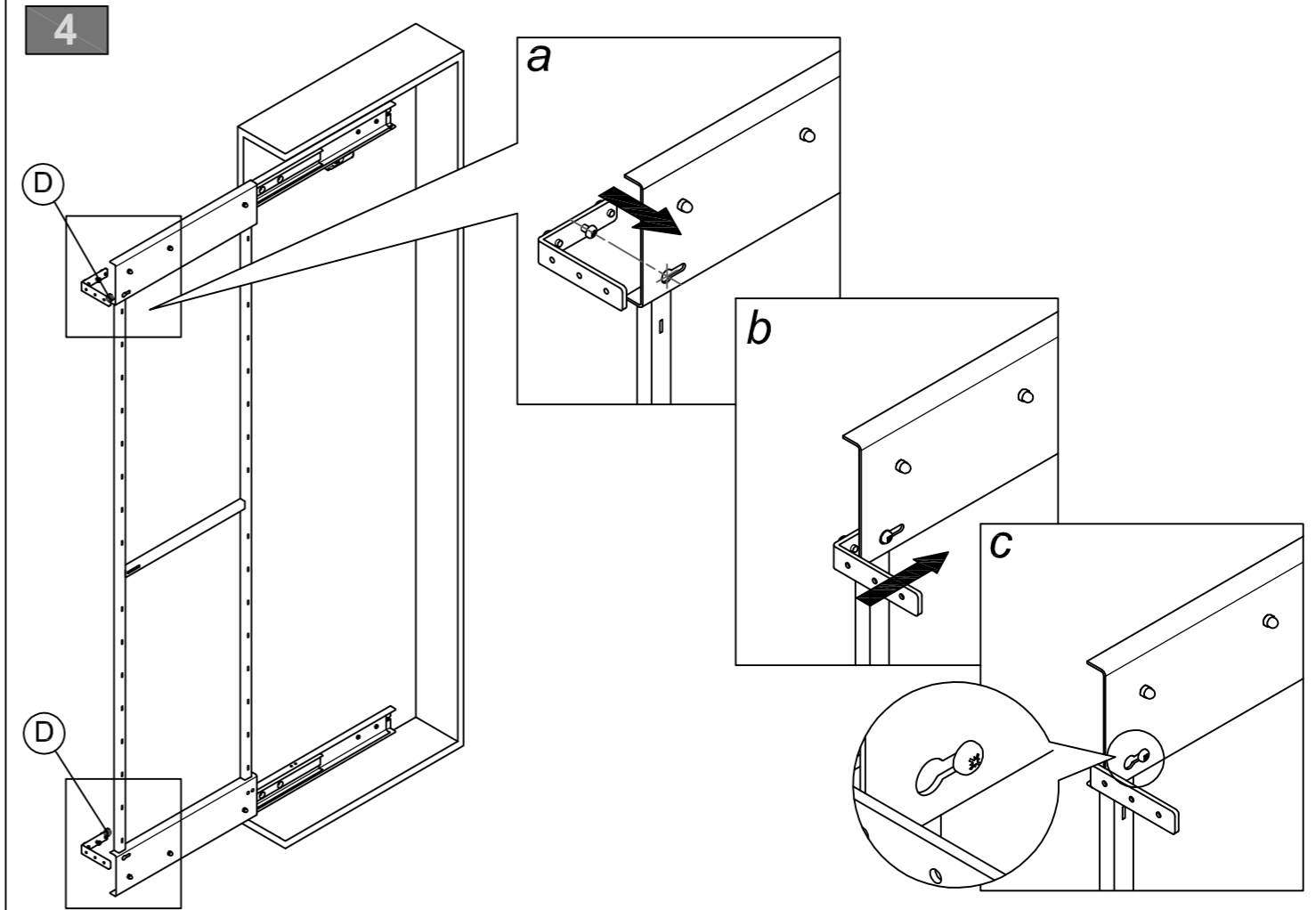
11



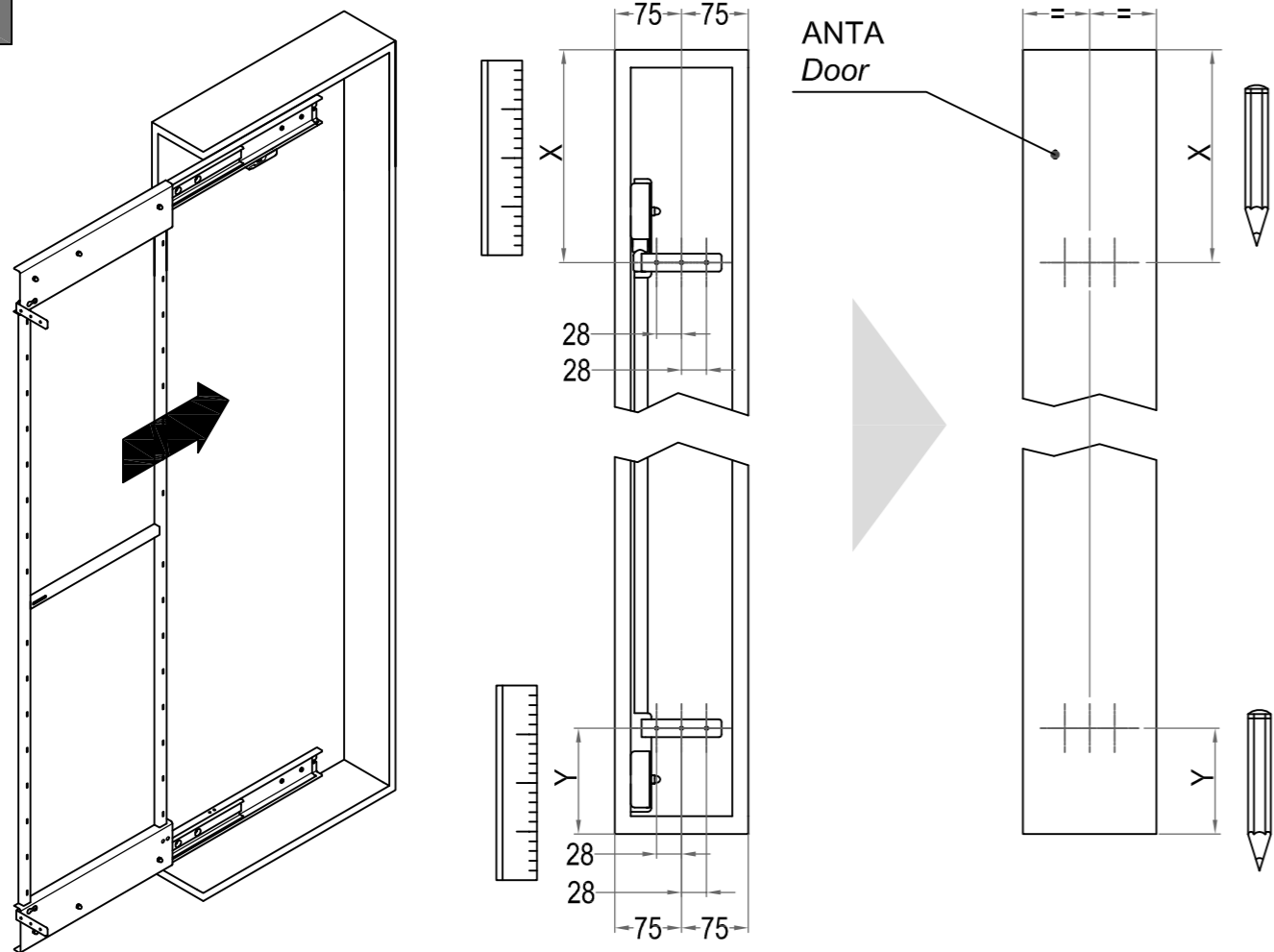
3



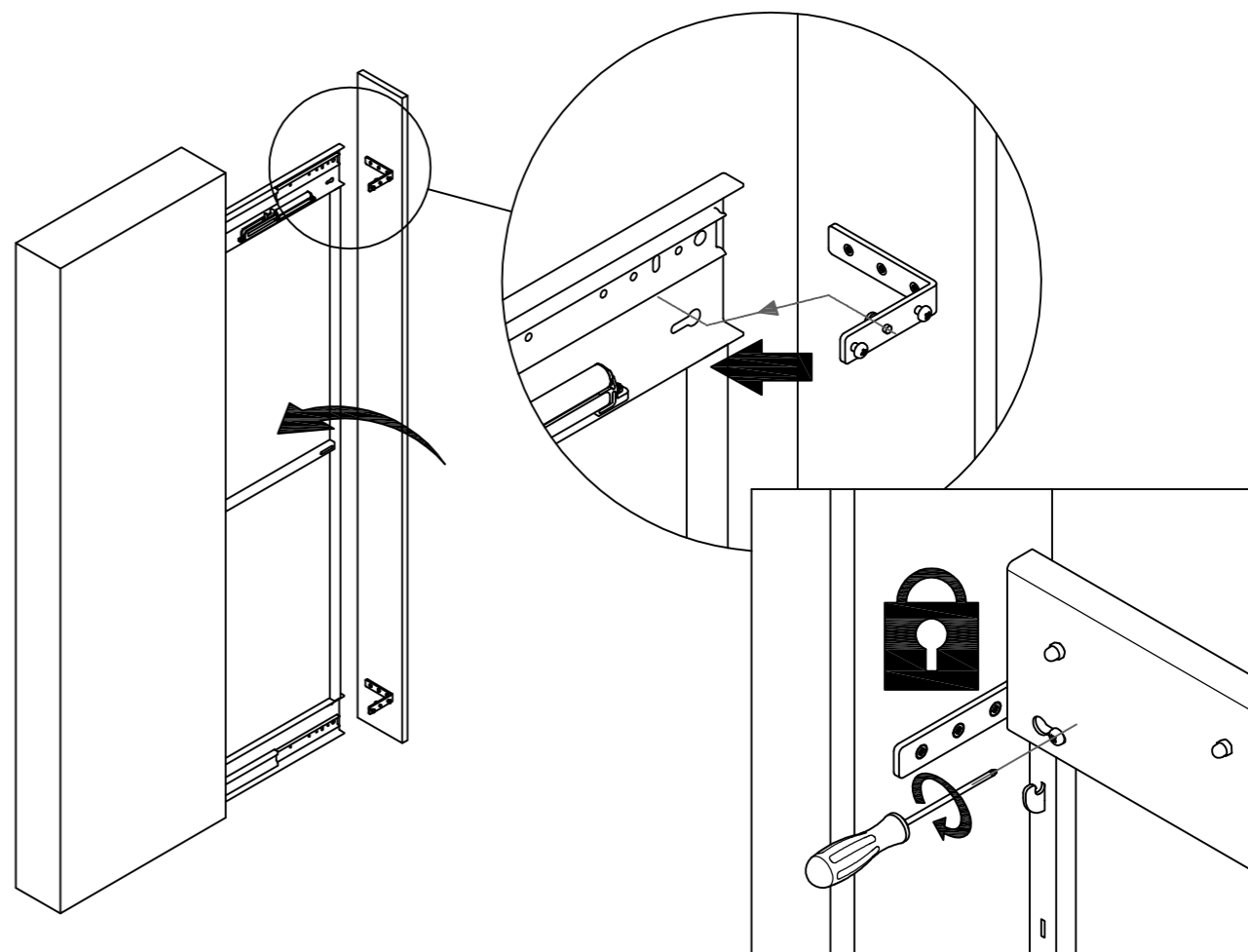
4



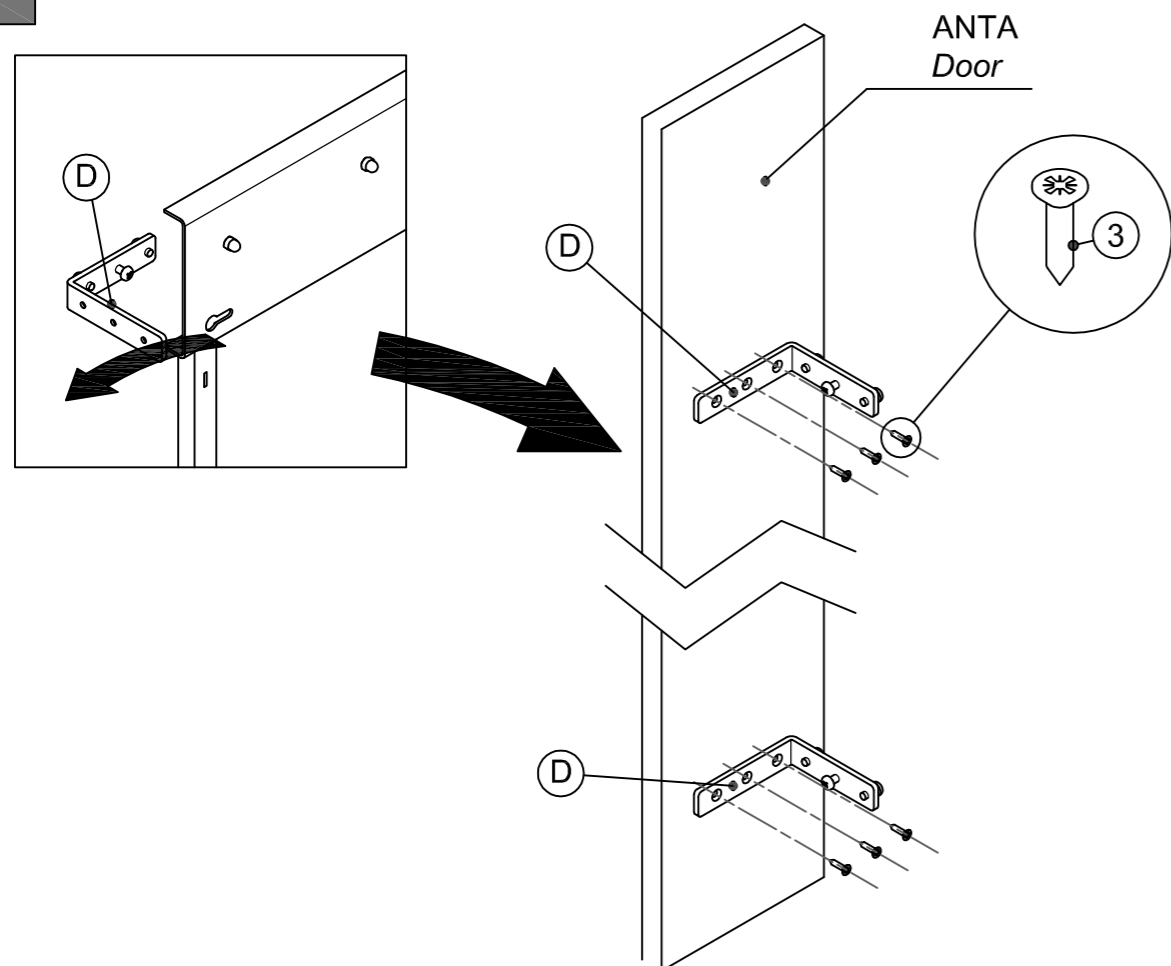
5



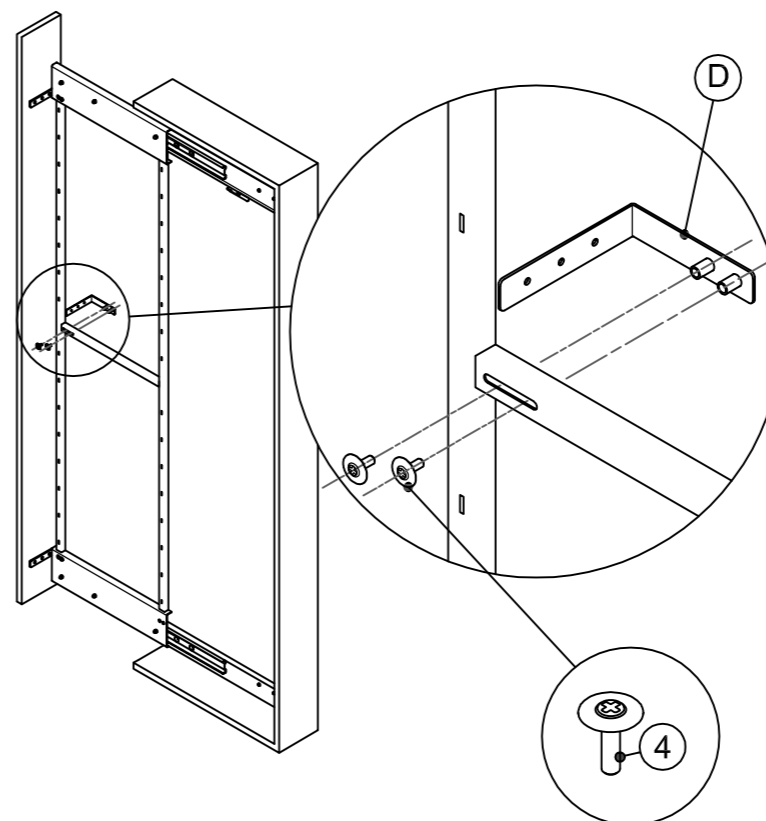
7



6



8



9

