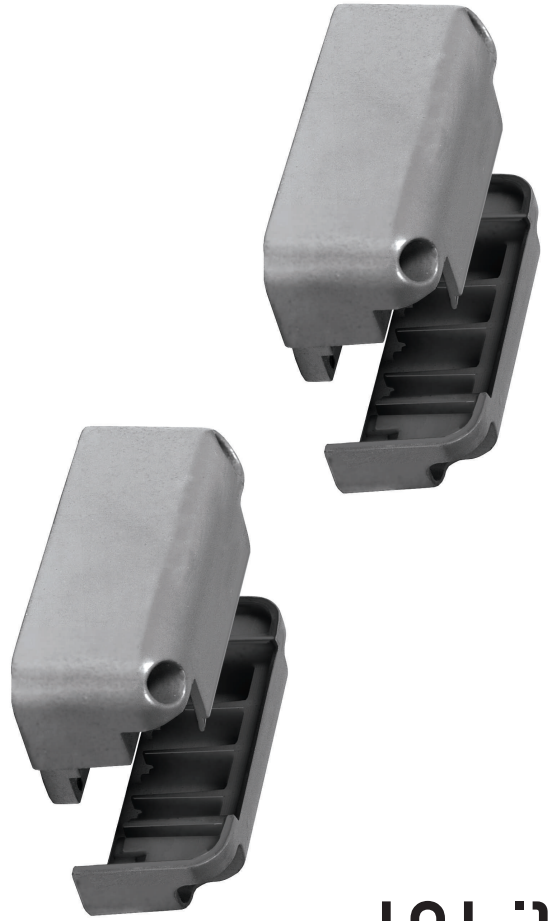
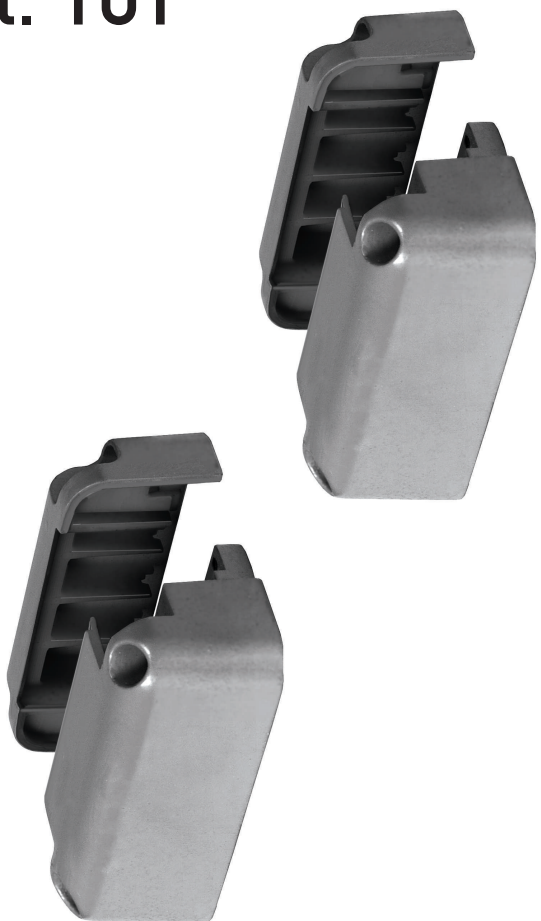


Art.226 + Art.101



Art. 101

Art. 101



Art.226 + Art.101

